

9000 SERIES

GENERAL PURPOSE



Operating Parameters

MEDIA

Water, Steam, Hot Oil

PRESSURE*

250 PSI

TEMPERATURE*

375° F (Water), 375° F (Steam), 375° F (Hot Oil)

SPEED*

700 RPM

THREADS

- 1/4" to 3" NPT
- BSP & ISO228 Flanged Available

MATERIAL

Cast Iron Housing, Steel Shaft,
Stainless Steel Seal Face

CONFIGURATION OPTIONS

Mono Flow & Dual Flow Configurations
Available

* See Performance
Charts For Details

Features & Benefits

Advanced Sealing System

The Bellows Sealing System provides superior sealing performance throughout the wear life of the Rotary Union.

Superior Alignment

Dual bearings available in all sizes over 1 1/4" to provide superior alignment.

Resists Debris Build-Up

Debris in contaminated media will not be captured in the Bellows Sealing System, which reduces clogging.

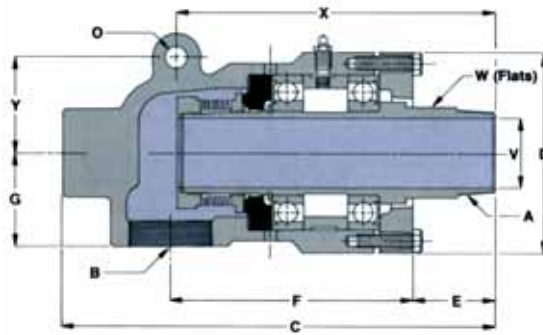
Flanged Mounted Units Available

Consult Factory.

9000 SERIES ROTARY UNIONS • MONO FLOW								
PART NUMBERS	Nominal Pipe Size	Shaft Thread (A)	Right Hand Thread			Left Hand Thread		
			Part Number	Description	Repair Cartridge	Part Number	Description	Repair Cartridge
PART NUMBERS	1/4	1/4 NPT	730432C	R030P	441647C	730431C	L030P	441646C
		9/16-18 MT	730434C	R024P	441649C	730433C	L024P	441648C
		5/8-18 MT	730436C	R024P	441651C	730435C	L024P	441650C
	3/8	3/8 NPT	730444C	R100P	441659C	730443C	L100P	441658C
		5/8-18 MT	730446C	R124P	441661C	730445C	L124P	441660C
	1/2	1/2 NPT	730396C	R200P	441630C	730395C	L200P	441629C
		3/4-16 MT	730402C	R224P	441634C	730401C	L224P	441633C
		7/8-14 MT	730410C	R224P	441636C	730409C	L224P	441635C
		3/4-14 MT	730639C	R224P	441632C	730638C	L224P	441631C
	3/4	7/8-16 MT	730641C	R224P	441709C	730640C	L224P	441708C
		3/4 NPT	730332C	R300P	441597C	730331C	L300P	441596C
	1	1-14 MT	730338C	R324P	441599C	730337C	L324P	441598C
		1 NPT	730303C	R400P	441579C	730302C	L400P	441578C
	1-1/4	1-1/4-12 MT	730309C	R424P	441581C	730308C	L424P	441580C
		1-1/4 NPT	440320C	R9500P	471460C	440319C	L9500P	471459C
		1-5/8-8 MT	440326C	R9524P-3	471462C	440325C	L9524P-3	471461C
	1-1/2	1-5/8-12 MT	440324C	R9524P-2	471464C	440323C	L9524P-2	471463C
		1-1/2 NPT	440144C	R9600P	471364C	440143C	L9600P	471363C
		2-8 MT	440148C	R9624P-3	471368C	440147C	L9624P-3	471367C
	2	2-12 MT	440152C	R9624P-2	471374C	440151C	L96240P-2	471373C
		2 NPT	440465C	R9700P	471554C	440464C	L9700P	471553C
	2-1/2	2-1/2 NPT	440535C	R9800P	471556C	440534C	L9800P	471555C
	3	3 NPT	440493C	R9900P	471558C	440492C	L9900P	471557C
		3-1/2-8 MT	440499C	R9924P-3	471644C	440498C	L9924P-3	471643C

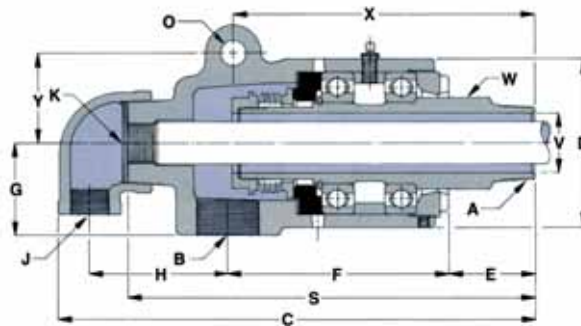
9000 SERIES ROTARY UNIONS • DUAL FLOW								
PART NUMBERS	Nominal Pipe Size	Shaft Thread (A)	Right Hand Thread			Left Hand Thread		
			Part Number	Description	Repair Cartridge	Part Number	Description	Repair Cartridge
PART NUMBERS	1/2	1/2 NPT	730398C	R200S	441630C	730397C	L200S	441629C
		3/4-16 MT	730404C	R224S	441634C	730403C	L224S	441633C
		7/8-14 MT	730412C	R224S	441636C	730411C	L224S	441635C
	3/4	3/4 NPT	730334C	R300S	441597C	730333C	L300S	441596C
		1-14 MT	730340C	R324S	441599C	730339C	L324S	441598C
	1	1 NPT	730305C	R400S	441579C	730304C	L400S	441578C
		1-1/4-12 MT	730311C	R424S	441581C	730310C	L424S	441580C
	1-1/4	1-1/4 NPT	440322C	R9500S	471460C	440321C	L9500S	471459C
		1-5/8-8 MT	440330C	R9524S-3	471462C	440329C	L9524S-3	471461C
		1-5/8-12 MT	440328C	R9524S-2	471464C	440327C	L9524S-2	471463C
	1-1/2	1-1/2 NPT	440146C	R9600S	471364C	440145C	L9600S	471363C
		2-8 MT	440150C	R9624S-3	471368C	440149C	L9624S-3	471367C
		2-12 MT	440154C	R9624S-2	471374C	440153C	L96240S-2	471373C
	2	2 NPT	440467C	R9700S	471554C	440466C	L9700S	471553C
	2-1/2	2-1/2 NPT	440575C	R9800S	471556C	440574C	L9800S	471555C
	3	3 NPT	440495C	R9900S	471558C	440494C	L9900S	471557C

9000 SERIES ROTARY UNIONS • DUAL FLOW ROTATING SIPHON								
PART NUMBERS	Nominal Pipe Size	Shaft Thread (A)	Right Hand Thread			Left Hand Thread		
			Part Number	Description	Repair Cartridge	Part Number	Description	Repair Cartridge
PART NUMBERS	1/2	1/2 NPT	730400C	R225-4	441630C	730399C	L225-4	441629C
		3/4-14	730406C	XR225-4	441632C	730405C	XL225-4	441631C
		3/4-16	730408C	XR225-4	441634C	730407C	XL225-4	441633C
		7/8-14	730414C	XR225-4	441636C	730413C	XL225-4	441635C
		7/8-16	730644C	XR225-4	441709C	730643C	XL225-4	441708C
	3/4	3/4-14	730336C	R325-2	441597C	730335C	L325-2	441596C
		1-14	730342C	XR325-2	441599C	730341C	XL325-2	441598C
	1	1 NPT	730307C	R425-10	441579C	730306C	L425-10	441578C
		1-1/2-12	730315C	XR425-10	441583C	730314C	XL425-10	441582C
		1-1/4-12	730313C	XR425-10	441581C	730312C	XL425-10	441580C
	1-1/4	1-1/4 NPT	440334	R9525-20	471460	440333	L9525-20	471459
		1-5/8-12 MT	440336	XR9525-20	471464	440335	XL9525-20	471463
	1-1/2	1-1/2 NPT	440251	R9625-30	471364	440250	L9625-30	471363
		2-12 MT	440438	XR9625-30	471374	440437	XL9625-30	471373
		2-8 MT	440449	XR9625-30	471368	440448	XL9625-30	471367
	2	2 NPT	440475	R9725-30	471554	440474	L9725-30	471553
	2-1/2	2-1/2 NPT	440585	R9825-40	471556	440584	L9825-40	471555
	3	3 NPT	440587	R9925-50	471558	440586	L9925-50	471557



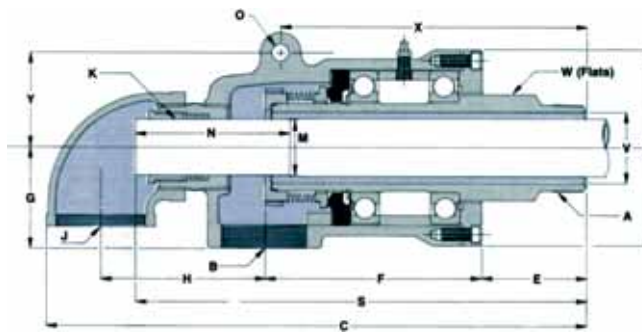
9000 SERIES ROTARY UNIONS • MONO FLOW (in.)

DIMENSIONS	Nominal Pipe Size	Thread (A)	Inlet B (NPT)	C	D	E	F	G	V	W	O	Y	X	
	1/4	1/4 NPT	1/4	4-3/8	1-3/4	1-1/8	2-9/16	1-1/16	1/4	5/8	-	-	-	-
		9/16-18 MT												
	3/8	5/8-18 MT	3/8	4-3/8	1-3/4	1-1/8	2-9/16	1-1/16	3/8	11/16	-	-	-	-
		3/8 NPT												
	1/2	1/2 NPT	1/2	5	2-3/8	1-1/2	2-3/4	1-1/4	1/2	15/16	-	-	-	-
		3/4-16 MT												
		7/8-14 MT												
		3/4-14 MT												
	3/4	7/8-16 MT	3/4	5-1/2	2-1/2	1-5/8	3	1-7/16	3/4	1-3/4	-	-	-	-
		3/4 NPT												
	1	1-14 MT	1	6-1/8	3	1-3/4	3-3/8	1-3/4	1	1-11/32	-	-	-	-
		1 NPT												
1-1/4	1-1/4 NPT	1-1/4	9-1/16	3-3/4	2-1/16	4-13/16	2-3/16	1-1/4	1-11/16	5/8	2	6-7/8	6-3/4	
	1-5/8-8 MT													
	1-5/8-12 MT													
1-1/2	1-1/2 NPT	1-1/2	9-11/16	4/8	2-3/16	5-1/4	2-3/16	1-1/2	1-15/16	5/8	2-1/4	7-3/4	7-15/16	
	2-8 MT													
	2-12 MT													
2	2 NPT	2	11-3/4	5-7/8	2-7/16	6-7/8	2-5/8	2	2-9/16	5/8	2-3/4	8-9/16		
2-1/2	2-1/2 NPT	2-1/2	13-7/8	6-1/2	3-1/2	7-3/16	3-3/8	2-1/2	3	-	-	-		
3	3 NPT	3	15-3/8	7-1/8	3-1/2	8-5/16	3-7/8	3	3-5/8	-	-	-		
	3-1/2-8 MT													
	15-3/4													



9000 SERIES ROTARY UNIONS • DUAL FLOW • STATIONARY SIPHON (in.)

DIMENSIONS	Nominal Pipe Size	Shaft Thread (A)	Inlet (B)	Outlet (J)	Siphon K (NPSM)	C	D	E	F	G	H	S	V	W	O	Y	X	
	1/2	1/2 NPT	1/2	1/2	1/8	7-1/4	2-3/8	1-1/2	2-3/4	1-1/4	2-1/8	6	1/2	15/16	-	-	-	-
		3/4-16 MT																
		7/8-14 MT																
	3/4	3/4 NPT	3/4	1/2	1/4	7-3/4	2-1/2	1-5/8	3	1-7/16	2-3/8	6-3/8	3/4	1-1/8	-	-	-	-
		1-14 MT																
	1	1 NPT	1	1/2	3/8	8-1/2	3	1-3/4	3-3/8	1-3/4	2-5/8	7-1/8	1	1-3/8	-	-	-	-
		1-1/4-12 MT																
	1-1/4	1-1/4 NPT	1-1/4	1/2	1/2"	10-5/8	3-3/4	2-1/8	4-13/16	2	-	8-7/8	1-1/4	1-11/16	5/8	2	6-3/4	-
		1-5/8-8 MT																
		1-5/8-12 MT																
	1-1/2	1-1/2 NPT	1-1/2	3/4	3/4"	11-3/8	4-1/8	2-3/16	5-1/4	2-3/16	-	9-9/16	1-1/2	1-15/16	5/8	2-1/4	7-3/8	7-15/16
		2-8 MT																
2-12 MT																		
2	2 NPT	2	1	3/4"	13-7/8	5-7/8	2-7/16	6-1/2	2-5/8	-	11-1/2	2	2-9/16	5/8	2-3/4	8-9/16		
2-1/2	2-1/2 NPT	2	1	1"	16-7/8	6-1/2	3-1/2	7-1/4	3-3/8	-	14	2-1/2	3	-	-	-		
3	3 NPT	2-1/2	1-1/4	1-1/4"	18-3/4	7-1/8	3-1/2	8-5/16	3-7/8	-	15-5/8	3	3-5/8	-	-	-		



9000 SERIES ROTARY UNIONS • DUAL FLOW ROTATING SIPHON (in.)																			
Nominal Pipe Size	Shaft Thread (A)	Inlet (B)	Outlet (J)	Siphon (K)	C	D	E	F	G	H	M	N	O	S	V	W	X	Y	
1/2"	1/2 NPT	1/2	1/2	1/4 Tube	7-1/4	2-3/8	1-1/2	2-3/4	1-1/4	2-1/8	0.249 to 0.252	1-5/8	-	6-1/4	1/2	15/16	-	-	
	3/4-14 MT																		
	3/4-16 MT																		
	7/8-14 MT																		
3/4"	3/4 NPT	3/4	1/2	1/4 Pipe	7-3/4	2-1/2	1-5/8	3	1-7/16	2-3/4	0.522 to 0.528	1-3/4	-	6-13/16	3/4	1-1/8	-	-	
	1-14 MT																		
1"	1 NPT	1	1/2	3/8 Pipe	8-1/2	3	1-3/4	3-3/8	1-3/4	2-5/8	0.657 to 0.663	2	-	7-11/16	1	1-3/8	-	-	
	1-1/4-12 MT																		
1-1/4	1-1/4 NPT	1-1/4	1/2	1/2 Pipe	10-5/8	3-3/4	2-1/8	4-13/16	2	3	0.803 to .808	3	5/8	9-7/16	1-1/4	1-11/16	6-7/8	2	
	1-5/8-12 MT				10-1/2									2			9-5/16		6-3/4
1-1/2	1-1/2 NPT	1-1/2	3/4	3/4 Pipe	11-3/8	4-1/8	2-3/16	5-1/4	2-3/16	3-1/4	0.991 to 0.997	3-1/4	5/8	10-1/8	1-1/2	1-15/16	7-3/8	2-1/4	
	2-12 MT				11-15/16									2-3/4			10-3/4		7-15/16
	2-8 MT																		
2	2 NPT	2	1	3/4 Pipe	13-7/8	5-7/8	2-7/16	6-1/2	2-5/8	4-1/16	0.991 to 0.997	3-1/4	5/8	12-1/8	2	2-9/16	8-9/16	2-3/4	
2-1/2	2-1/2 NPT	2	1-1/4	1 Pipe	16-7/8	6-1/2	3-1/2	7-1/4	3-3/8	5	1.241 to 1.247	3-3/4	-	14-11/16	2-1/2	3	-	-	
3	3 NPT	2-1/2	1-1/4	1-1/4 Pipe	18-3/4	7-1/8	3-1/2	8-5/16	3-7/8	5-1/2	1.615 to 1.621	4-1/4	-	16-3/8	3	3-5/8	-	-	

* Flanged models available. Consult Factory.

**9000 Series
Repair Parts**



Shaft



Ball Bearing



Bearing Retainer



Seal Ring



Bellows Assembly



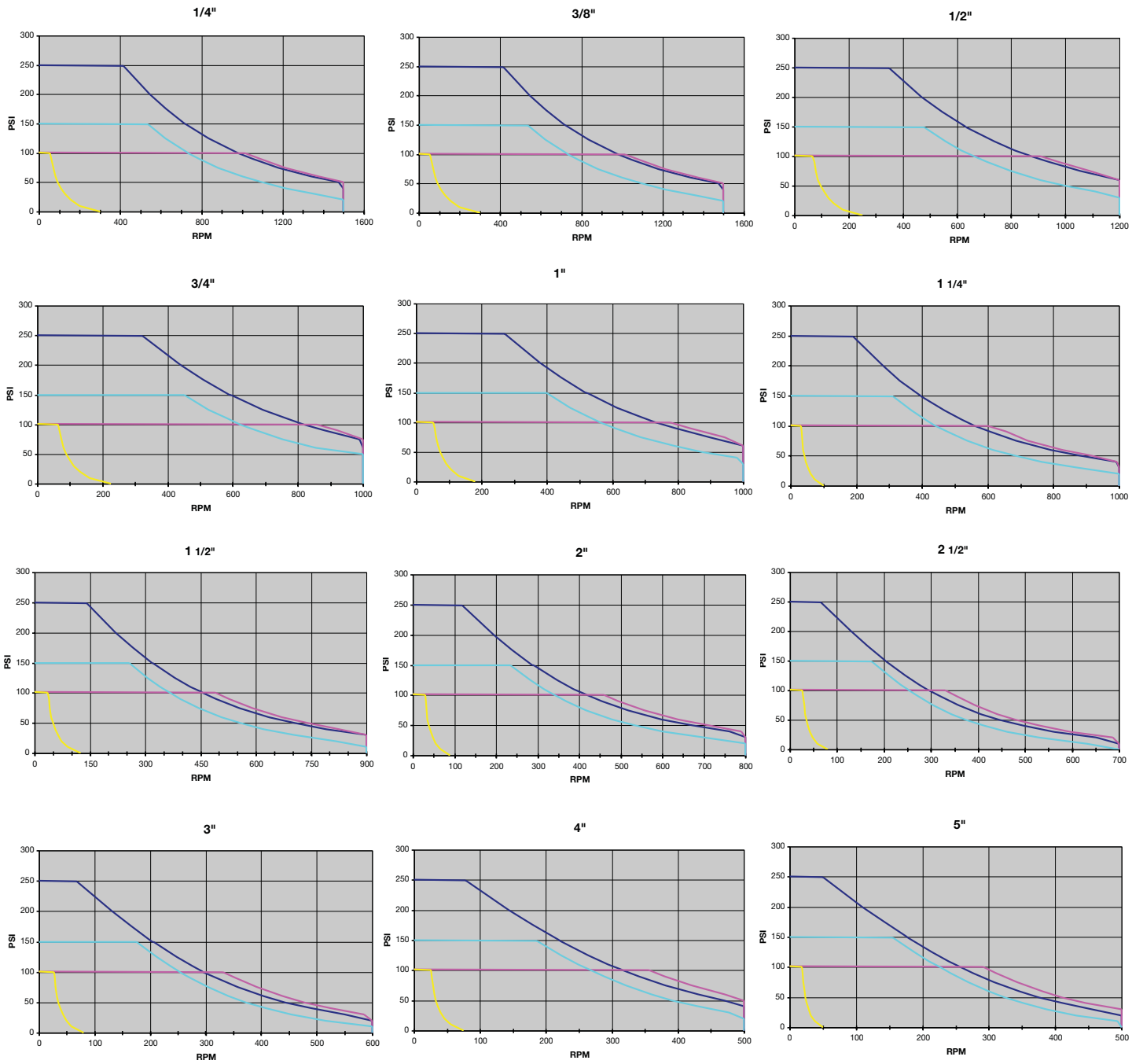
Bellows Gasket

9000 SERIES ROTARY UNIONS • REPAIR PARTS

Nominal Pipe Size	Thread Rotation	Shaft		Ball Bearing	Bearing Retainer	Seal Ring	Bellows Gasket	Bellows Assembly	Housing Gasket
		Shaft Thread (A)	Part Number						
1/4	LH	1/4 NPT	463474C	482020C	847022C	463472C	482033C	481010C	482026C
	RH		463475C						
	LH	9/16-18 MT	463476C						
	RH		463477C						
	LH	5/8-18 MT	463478C						
3/8	RH		463479C						
	LH	3/8 NPT	463484C	482020C	847022C	463472C	482033C	481010C	482026C
	RH		463485C						
	LH	5/8-18 MT	463486C						
	RH		463487C						
1/2	LH	1/2 NPT	463428C	482076C	854744C	463426C	482090C	481018C	482083C
	RH		463429C						
	LH	3/4-16 MT	463436C						
	RH		463437C						
	LH	7/8-14 MT	463430C						
	RH		463431C						
	LH	3/4-14 MT	463434C						
	RH		463435C						
3/4	LH	7/8-16 MT	463432C						
	RH		463433C						
	LH	3/4 NPT	463291C	482134C	844654C	463287C	482148C	481035C	482141C
	RH		463292C						
	LH	1-14 MT	463293C						
1	RH		463294C						
	LH	1 NPT	463265C	482188C	844341C	463264C	482201C	481048C	482195C
	RH		463266C						
	LH	1-1/4-12 MT	463277C						
1-1/4	RH		463278C						
	LH	1-1/4 NPT	485070C	482241C	854753C	482246C	482255C	481062C	482248C
	RH		485071C						
	LH	1-5/8-8 MT	485086C						
	RH		485087C						
	LH	1-5/8-12 MT	485084C						
1-1/2	RH		485085C						
	LH	1-1/2 NPT	483951C	482303C	863095C	482308C	482316C	481073C	482310C
	RH		483952C						
	LH	2-8 MT	483953C						
	RH		483954C						
2	LH	2-12 MT	483955C						
	RH		483956C						
	LH	2 NPT	485181C	482362C	854757C	482786C	482788C	481247C	482787C
2-1/2	RH		485182C						
	LH	2-1/2 NPT	485256C	482809C	854762C	482811C	482813C	481268C	482812C
3	RH		485257C						
	LH	3 NPT	485155C	482839C	854766C	482841C	482843C	481289C	482842C
	RH		485156C						
	LH	3-1/2-8 MT	485199C						
	RH		485200C						
	LH	3-1/2-12 MT	485189C						
	RH		485198C						

REPAIR PARTS

Performance Charts



Steam
 Water
 Hot Oil
 Air