

**JUMO GmbH & Co. KG**  
Delivery address: Mackenrodtstraße 14,  
36039 Fulda, Germany  
Postal address: 36035 Fulda, Germany  
Phone: +49 661 6003-0  
Fax: +49 661 6003-607  
e-mail: mail@jumo.net  
Internet: www.jumo.net

**JUMO Instrument Co. Ltd.**  
JUMO House  
Temple Bank, Riverway  
Harlow, Essex CM 20 2TT, UK  
Phone: +44 1279 635533  
Fax: +44 1279 635262  
e-mail: sales@jumo.co.uk  
Internet: www.jumo.co.uk

**JUMO Process Control, Inc.**  
8 Technology Boulevard  
Canastota, NY 13032, USA  
Phone: 315-697-JUMO  
1-800-554-JUMO  
Fax: 315-697-5867  
e-mail: info@jumo.us  
Internet: www.jumo.us

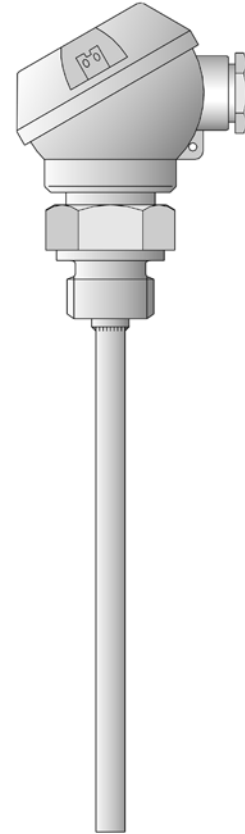


## Screw-in RTD temperature probe with terminal head form J

- For temperatures from -50 to +400°C
- As single or double RTD temperature probes
- Available with transmitter
- Protection class IP65

Screw-in RTD temperature probes are preferentially used for measuring temperatures in liquids and gases. A decisive selection criterion is the reliable sealing feature of this installation type with vacuum and with overpressure. The application areas are, among others, in the air conditioning technology and refrigeration engineering as well as the HVAC, kiln and apparatus engineering sector.

The measuring insert is normally fitted with a Pt100 temperature sensor according to DIN EN 60751, Class B in 2-wire circuit; versions with Pt500 or Pt1000 temperature sensors can also be supplied, as well as 3- and 4-wire circuit connections. A transmitter can be optionally integrated into the connection head.



### Technical Data

#### Terminal head

Form J, die-cast aluminum, M 16x1.5; IP65, ambient temperature -40 to +100 °C  
Caution: reduced ambient temperature range when using transmitters,  
Data Sheet 70.7030

#### Process connection

thread, stainless steel 1.4571

#### Protection tube

Stainless steel 1.4571, Ø 6 mm and Ø 8 mm

#### Measuring insert

Pt100 temperature sensor according to DIN EN 60751, Class B, two-wire circuit

#### Response times

$t_{0,5} = 5$  sec,  $t_{0,9} = 14$  sec, in water 0.4 m/sec, 6 mm dia.

#### Transmitter

Analog transmitter, output 4 to 20 mA, Data sheet 70.7030

#### Accessories

Sheath, Data Sheet 90.9710 (90.9721)

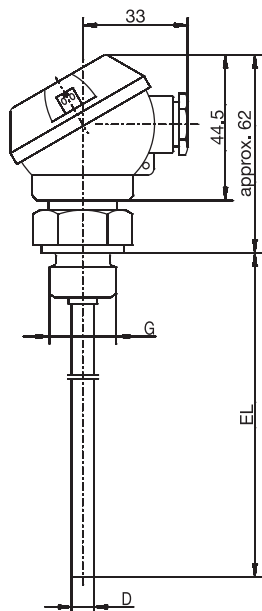
**JUMO GmbH & Co. KG**  
 Delivery address: Mackenrodtstraße 14,  
 36039 Fulda, Germany  
 Postal address: 36035 Fulda, Germany  
 Phone: +49 661 6003-0  
 Fax: +49 661 6003-607  
 e-mail: mail@jumo.net  
 Internet: www.jumo.net

**JUMO Instrument Co. Ltd.**  
 JUMO House  
 Temple Bank, Riverway  
 Harlow, Essex CM 20 2TT, UK  
 Phone: +44 1279 635533  
 Fax: +44 1279 635262  
 e-mail: sales@jumo.co.uk  
 Internet: www.jumo.co.uk

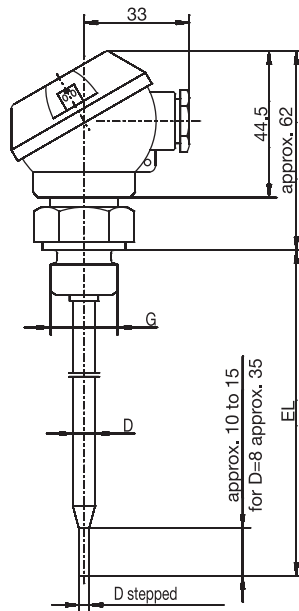
**JUMO Process Control, Inc.**  
 8 Technology Boulevard  
 Canastota, NY 13032, USA  
 Phone: 315-697-JUMO  
 1-800-554-JUMO  
 Fax: 315-697-5867  
 e-mail: info@jumo.us  
 Internet: www.jumo.us



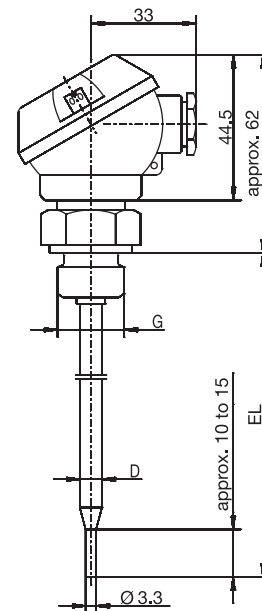
## Dimensions



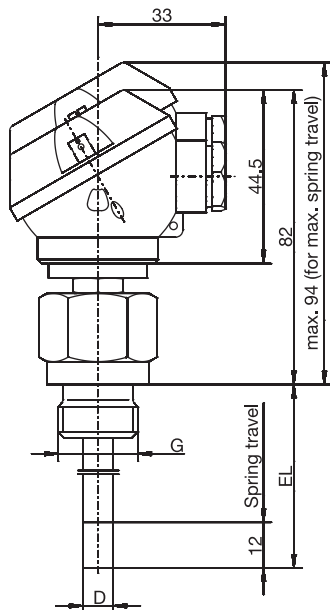
Type 902030/10



Type 902030/11



Type 902030/31



Type 902030/80

**JUMO GmbH & Co. KG**  
 Delivery address: Mackenrodtstraße 14,  
 36039 Fulda, Germany  
 Postal address: 36035 Fulda, Germany  
 Phone: +49 661 6003-0  
 Fax: +49 661 6003-607  
 e-mail: mail@jumo.net  
 Internet: www.jumo.net

**JUMO Instrument Co. Ltd.**  
 JUMO House  
 Temple Bank, Riverway  
 Harlow, Essex CM 20 2TT, UK  
 Phone: +44 1279 635533  
 Fax: +44 1279 635262  
 e-mail: sales@jumo.co.uk  
 Internet: www.jumo.co.uk

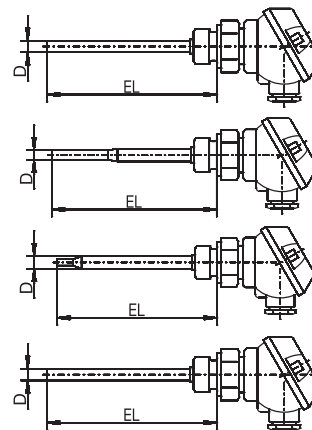
**JUMO Process Control, Inc.**  
 8 Technology Boulevard  
 Canastota, NY 13032, USA  
 Phone: 315-697-JUMO  
 1-800-554-JUMO  
 Fax: 315-697-5867  
 e-mail: info@jumo.us  
 Internet: www.jumo.us



**Order details: Screw-in RTD temperature probe with terminal head form J**

**(1) Basic type**

902030/10	Screw-in RTD temperature probes with continuous sheath
902030/11	Screw-in RTD temperature probes with stepped sheath (with Ø 6 to Ø 3.8 mm; with Ø 8 to Ø 6 mm)
902030/31	Screw-in RTD temperature probes with stepped sheath for air measurement
902030/80	Screw-in RTD temperature probes with spring-loaded connection, 12 mm spring deflection, connection head rotatable by 360°



**(2) Operating temperature in °C**

x x	647	-20 to +150 °C (only in conjunction with class B and 1x Pt100/1x Pt1000 in 2-wire circuit)	
	x	378	-50 to +180 °C
x x x	380	-50 to +200 °C	
x x	386	-50 to +260 °C	
x x	402	-50 to +400 °C	

**(3) Measuring insert**

x x x x	1001	1x Pt100 in 3-wire-circuit
x x x x	1003	1x Pt100 in 2-wire circuit
x x x x	1005	1x Pt1000 in 2-wire circuit
x x x x	1011	1x Pt100 in 4-wire circuit
x x x x	2003	2x Pt100 in 2-wire circuit

**(4) Tolerance class according to EN 60751**

x x x x	1	Class B (standard)
x x x x	2	Class A

**(5) Protection tube diameter D in mm**

x x x	6	Ø 6 mm (standard)	
x	x	8	Ø 8 mm

**(6) Fitting length EL in mm (100 ≤ EL ≤ 1000)**

x	x	50	50 mm
x x x x	100	100 mm	
x x x x	150	150 mm	
x x x x	250	250 mm	
x x x x	300	300 mm	
x x x x	...	Specification in plain text (50 mm steps)	

**(7) Process connection**

x x x	102	Screw connection (thread) G 1/4
x x x	103	Screw connection (thread) G 3/8
x x x x	104	Screw connection (thread) G 1/2

**(8) Extra codes**

x x x x	000	without extra codes
x x x x	330	1x analog transmitter, 4 to 20 mA <sup>1</sup> output, Data sheet 70.7030

<b>Order code</b>	(1)	(2)	(3)	(4)	(5)	(6)	(7)	(8)							
<b>Order example</b>	902030/10	-	402	-	1001	-	1	-	6	-	100	-	104	/	000

<sup>1</sup> Specify measuring range in plain text.

**JUMO GmbH & Co. KG**  
 Delivery address: Mackenrodtstraße 14,  
 36039 Fulda, Germany  
 Postal address: 36035 Fulda, Germany  
 Phone: +49 661 6003-0  
 Fax: +49 661 6003-607  
 e-mail: mail@jumo.net  
 Internet: www.jumo.net

**JUMO Instrument Co. Ltd.**  
 JUMO House  
 Temple Bank, Riverway  
 Harlow, Essex CM 20 2TT, UK  
 Phone: +44 1279 635533  
 Fax: +44 1279 635262  
 e-mail: sales@jumo.co.uk  
 Internet: www.jumo.co.uk

**JUMO Process Control, Inc.**  
 8 Technology Boulevard  
 Canastota, NY 13032, USA  
 Phone: 315-697-JUMO  
 1-800-554-JUMO  
 Fax: 315-697-5867  
 e-mail: info@jumo.us  
 Internet: www.jumo.us



## Stock versions

(1)	(2)	(3)	(4)	(5)	(6)	(7)	(8)	Part No.
902030/10	- 380	- 2003	- 1	- 6	- 50	- 104	/ 000	90/00533450
902030/10	- 380	- 2003	- 1	- 6	- 100	- 104	/ 000	90/00533451
902030/10	- 380	- 2003	- 1	- 6	- 150	- 104	/ 000	90/00533452
902030/10	- 402	- 1003	- 1	- 6	- 50	- 104	/ 000	90/00055692
902030/10	- 402	- 1003	- 1	- 6	- 100	- 104	/ 000	90/00055693
902030/10	- 402	- 1003	- 1	- 6	- 150	- 104	/ 000	90/00055694
902030/10	- 402	- 1003	- 1	- 6	- 300	- 104	/ 000	90/00065691
902030/10	- 402	- 1003	- 1	- 6	- 250	- 104	/ 000	90/00533433
902030/10	- 402	- 2003	- 1	- 6	- 50	- 104	/ 000	90/00383011
902030/10	- 402	- 2003	- 1	- 6	- 100	- 104	/ 000	90/00526429
902030/10	- 402	- 2003	- 1	- 6	- 150	- 104	/ 000	90/00533442
902030/10	- 402	- 1003	- 1	- 6	- 50	- 103	/ 000	90/00478984
902030/10	- 402	- 1003	- 1	- 6	- 100	- 103	/ 000	90/00424045
902030/10	- 380	- 1003	- 1	- 6	- 100	- 104	/ 330(-40 to +60 °C)	90/00533453
902030/10	- 647	- 1003	- 1	- 6	- 100	- 104	/ 330(0 to 100 °C)	90/00533454
902030/10	- 647	- 1003	- 1	- 6	- 150	- 104	/ 330(0 to 100° C)	90/00533468
902030/10	- 402	- 1005	- 1	- 6	- 100	- 104	/ 000	90/00359611
902030/10	- 402	- 1005	- 1	- 6	- 150	- 104	/ 000	90/00411610
902030/10	- 647	- 1003	- 1	- 6	- 50	- 104	/ 000	90/00533448
902030/10	- 647	- 1003	- 1	- 6	- 100	- 104	/ 000	90/00533449
902030/10	- 647	- 1003	- 1	- 6	- 150	- 104	/ 000	90/00508957
902030/31	- 380	- 1003	- 1	- 6	- 75	- 104	/ 000	90/00438406
902030/31	- 380	- 1003	- 1	- 6	- 100	- 104	/ 000	90/00438408
902030/31	- 380	- 1003	- 1	- 6	- 150	- 104	/ 000	90/00438409